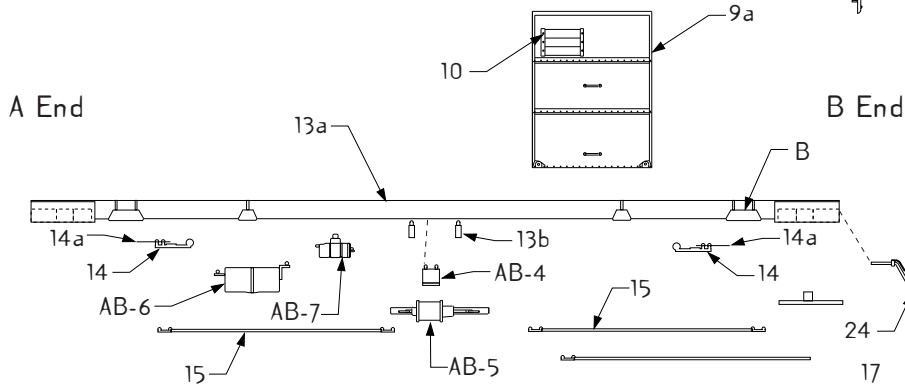
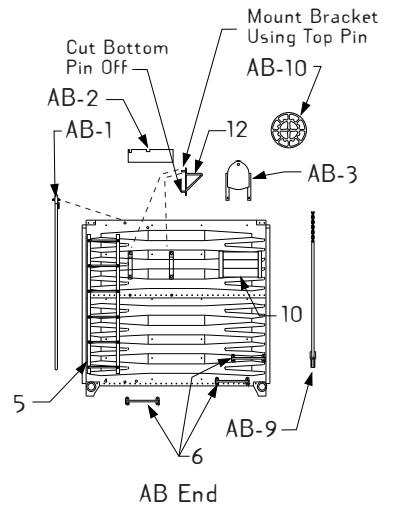
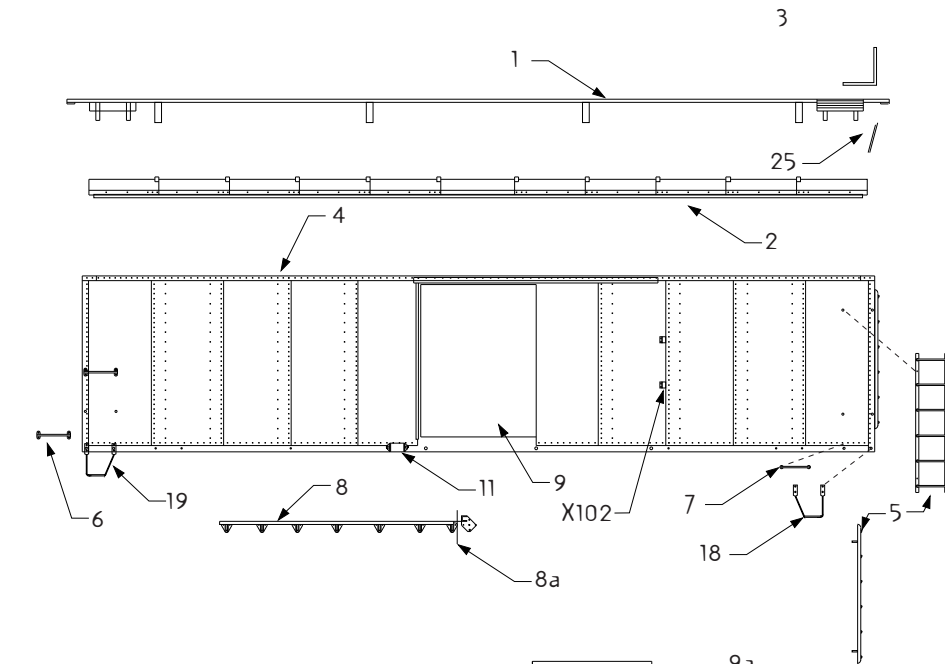
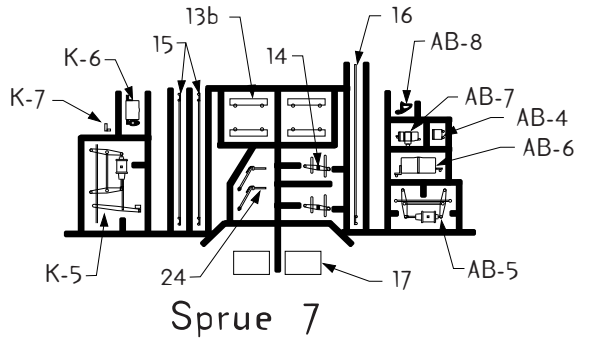
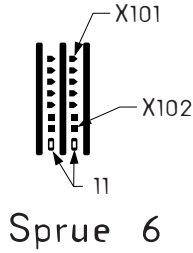
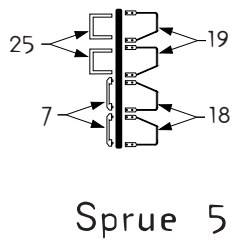
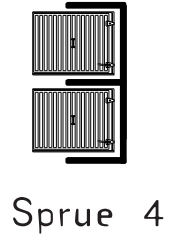
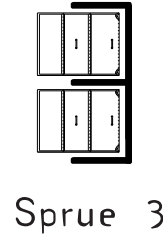
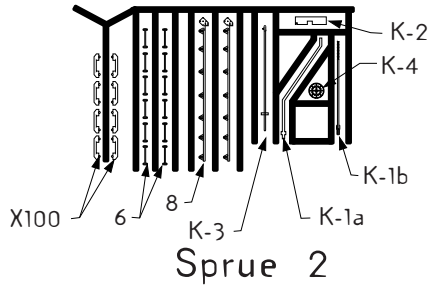
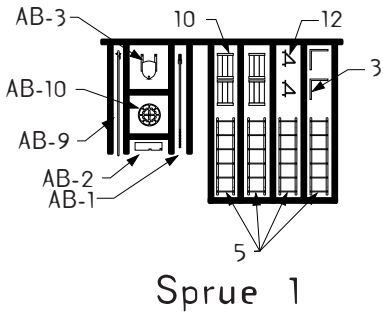
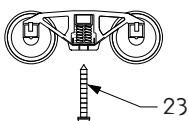
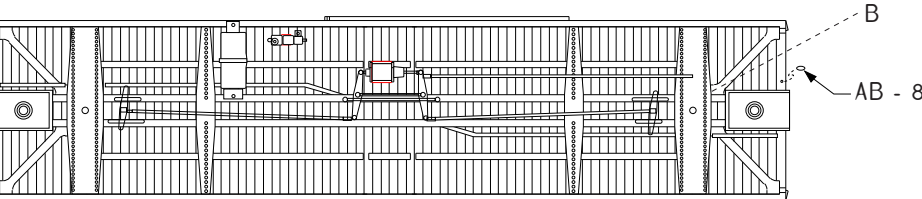
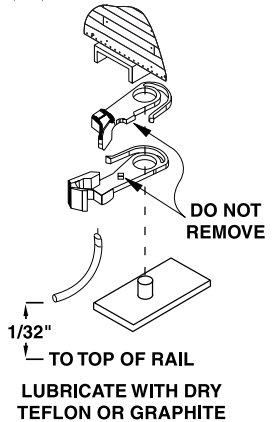


RED CABOOSE

PRR X-29 Dreadnaught End
with AB Brake



CCUMATE[®]
U.S. PATENT NO. 5,620,106



Bottom View
with AB Brake Parts

